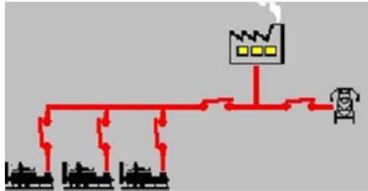
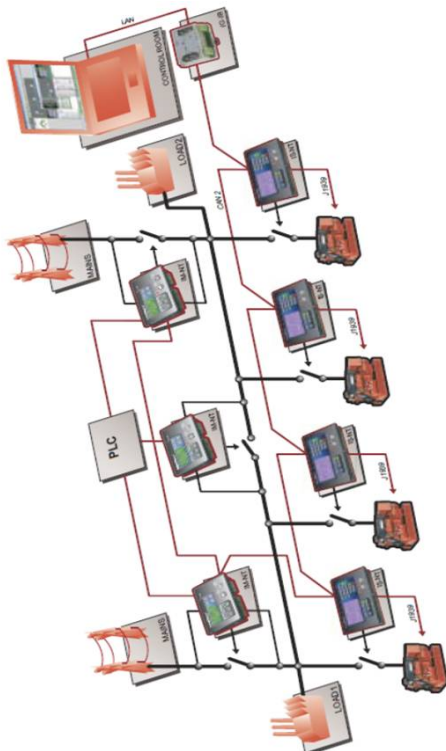
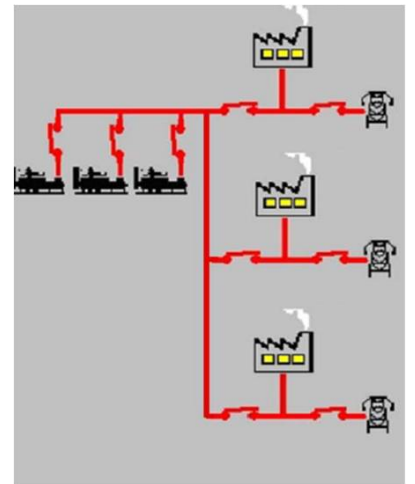
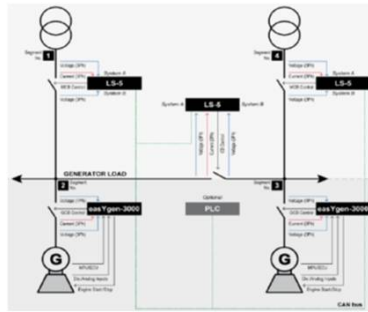
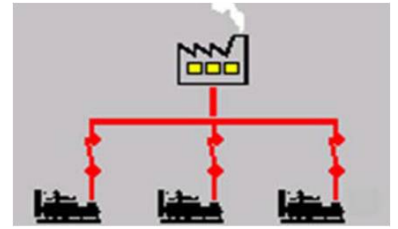


Synchronization Control Panel



Panel Specification

- * 2mm galvanized metal body
- * Electrostatic powder paint RAL7035
- * Panel lifting eyes
- * Lockable front door
- * Protection for touching electricity bars and points
- * IP41 Protection
- * Earthing points and bars
- * Miniature circuit breaker for wiring protection



Panel Ref.	
Synchronization Control Panel	
8610G	Multiple Generator
8620G	Single Generator Parallel to Mains
8660M	Multiple Generator Parallel to Mains
8680BTB	Multiple Generator Parallel to Generator
2300G	Multiple Generator
2500G	Single Generator Parallel to Mains
3500M	Multiple Generator Parallel to Mains
LS5BTB	Multiple Generator Parallel to Generator
InteliG	Multiple Generator
InteliGM	Single Generator Parallel to Mains
IG/IM-G	Multiple Generator Parallel to Mains
IMBTB	Multiple Generator Parallel to Generator
242G	Multiple Generator
243G	Single Generator Parallel to Mains
246M	Multiple Generator Parallel to Mains
244BTB	Multiple Generator Parallel to Generator
6200G	Multiple Generator
6200GM	Single Generator Parallel to Mains
6200M	Multiple Generator Parallel to Mains
6200BTB	Multiple Generator Parallel to Generator

LCD	
Plant Battery Volts	Engine Hours Run
Generator Volts	Generator Total Power
Generator Amps	Generator Total Power
Generator Frequency	Generator Power Factor
Bus Volts	Generator Sequence
Bus Frequency	Engine Oil pressure
Bus Phase Sequence	Fuel Level
Engine Speed	Engine Temperature

Alarm	
Over Gen Voltage	High Engine Temp
Under Gen Voltage	Fail to Start
Over Gen Frequency	High DC Battery Voltage
Under Gen Frequency	Low DC Battery Voltage
Charge Fail	Gen Ph Rotation Error
Emergency Stop	Reverse Power
Low Oil Pressure	Over-Current
Under/Over Speed	Reverse Power